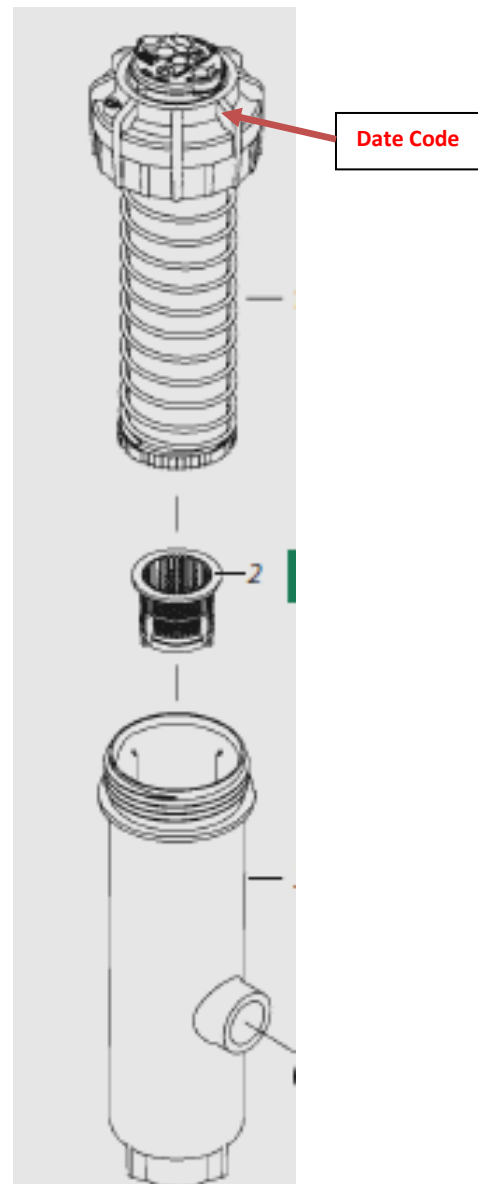
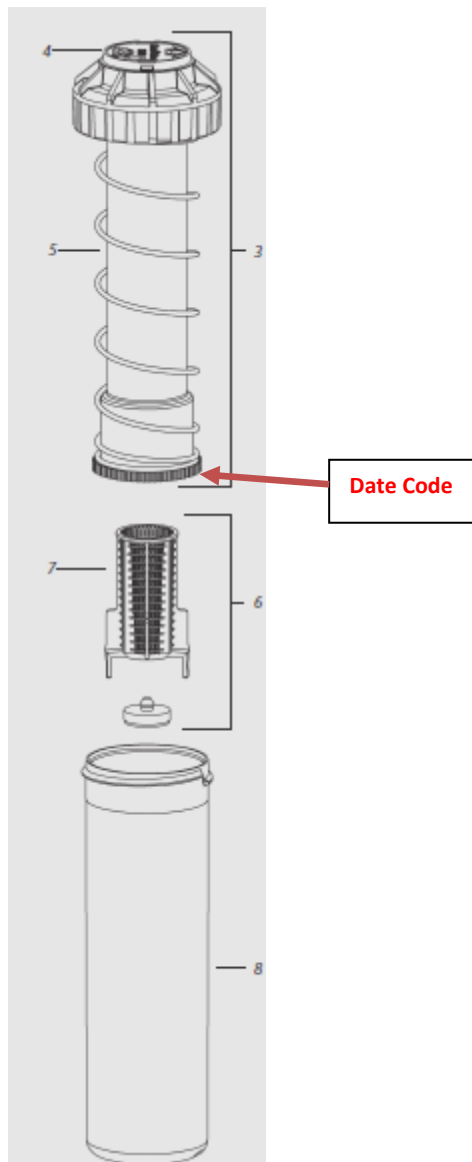


DATE CODE

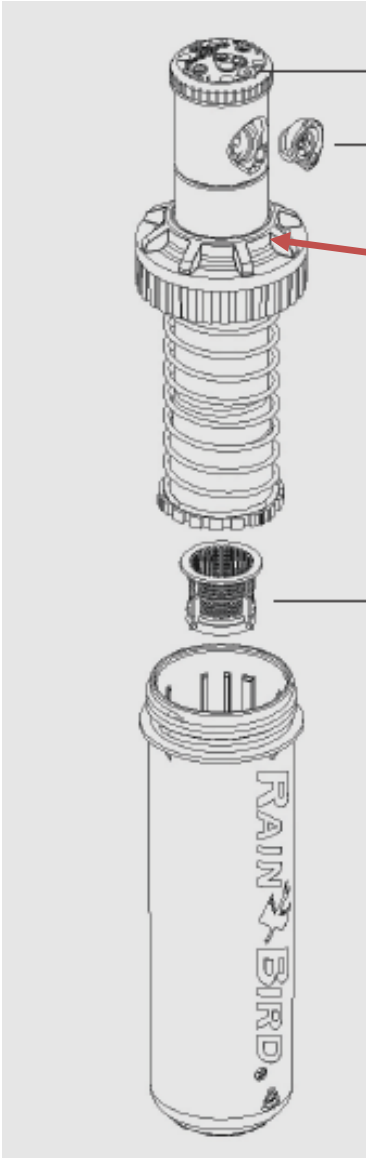
JA	J Anuary
FE	F Ebruary
MR	M aRch
AP	A Pril
MY	M aY
JN	J uNe
JL	J uLy
AU	A Ugust
SE	S Eptember
OC	O Ctober
NO	N Ovember
DE	D Ecember

3500 SERIES ROTORS

5000 SERIES ROTORS

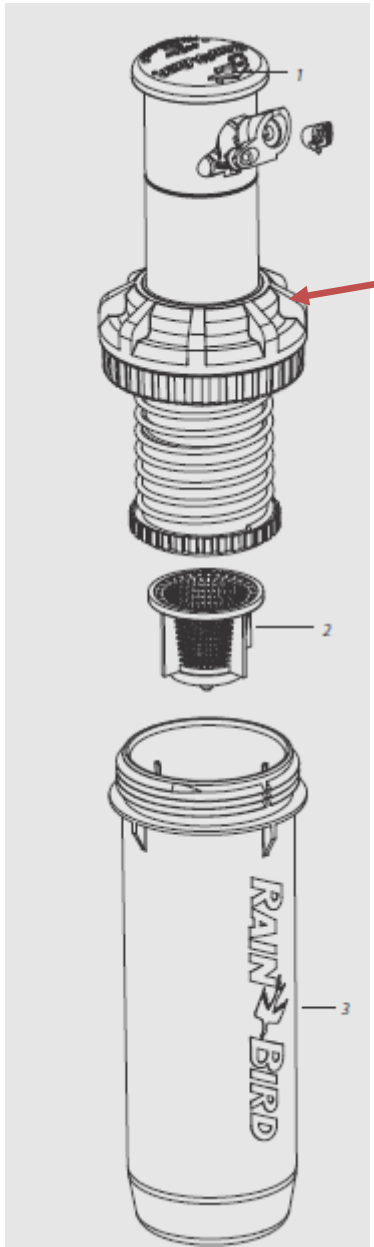


5505 SERIES ROTORS



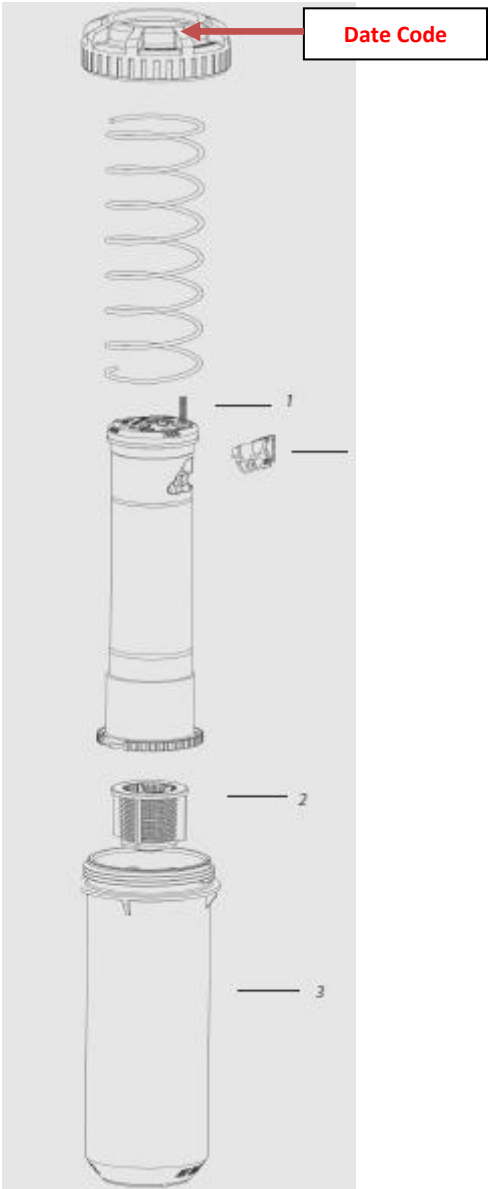
Date Code

FALCON SERIES ROTORS

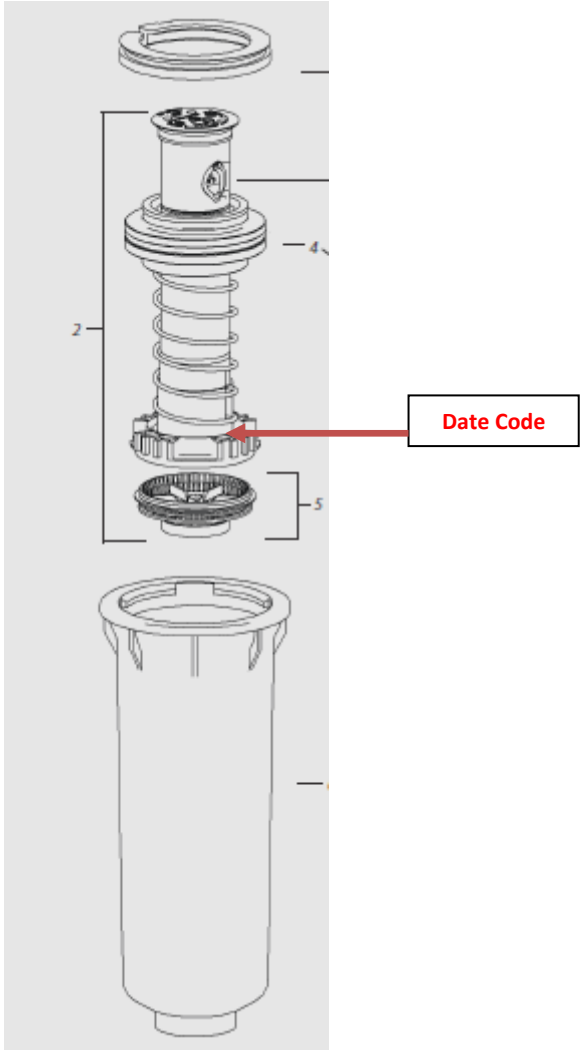


Date Code

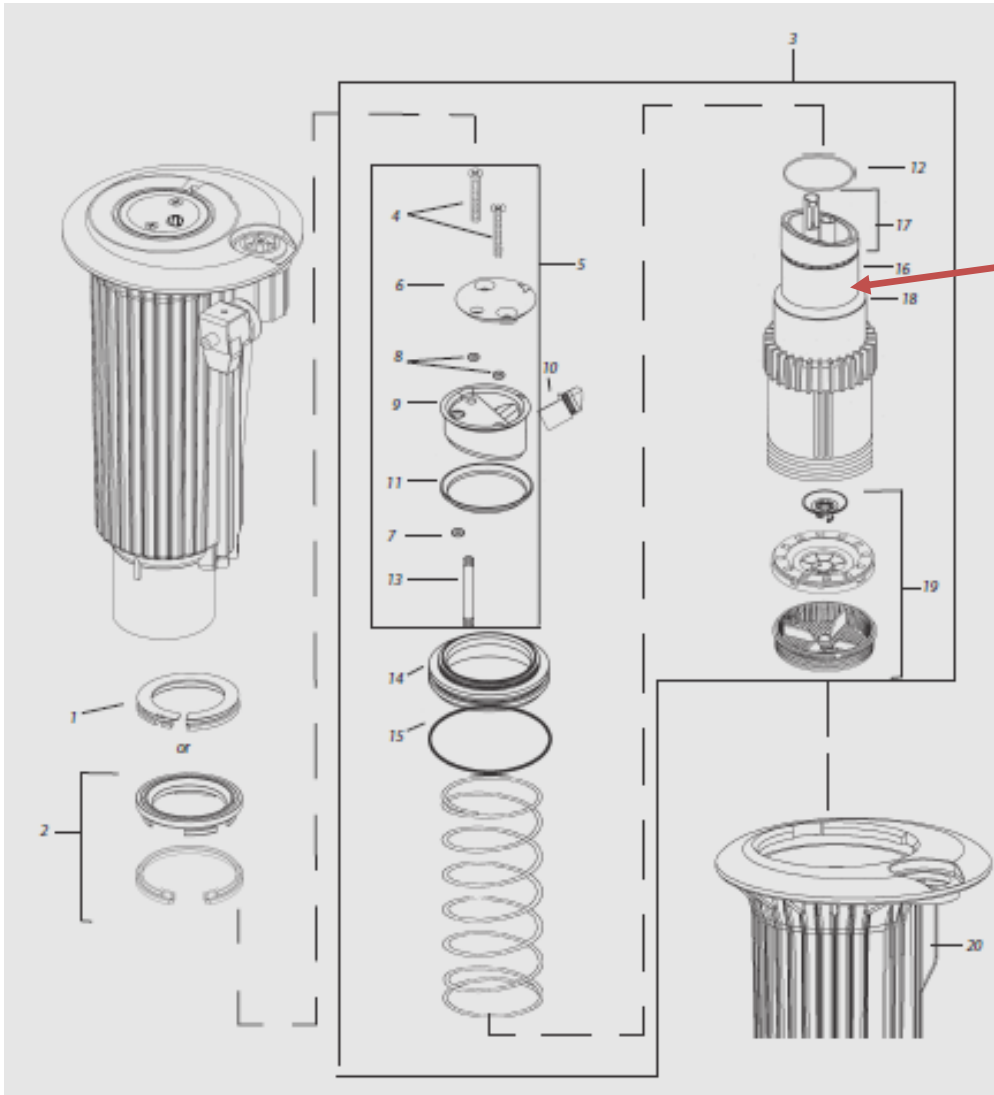
7005 / 8005 SERIES ROTORS



EAGLE 351



EAGLE 500/550/700/750/900/950 SERIES



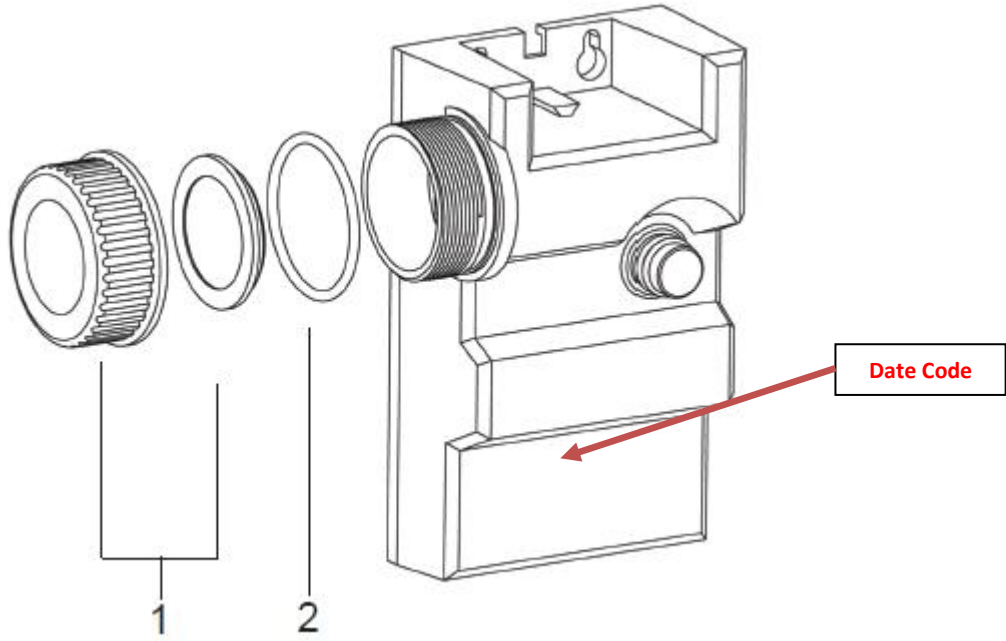
Date Code

TIMERS WTA 2875 & 2900

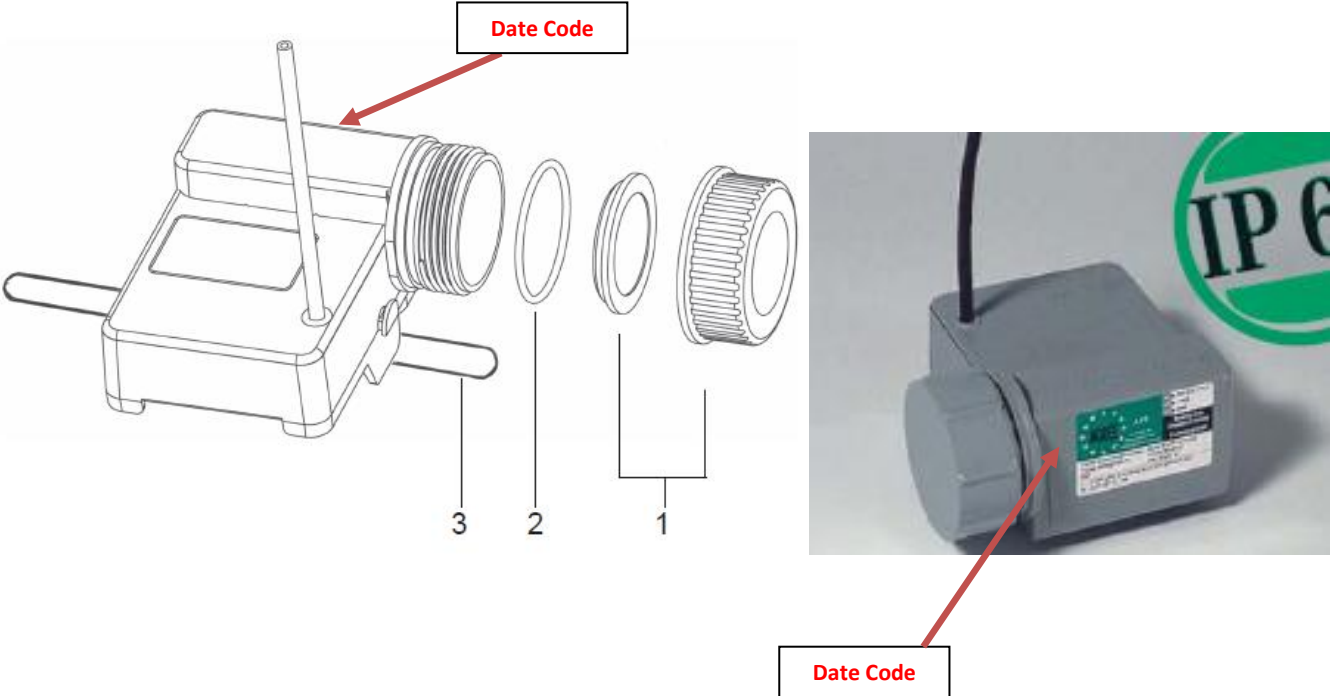


Date Code

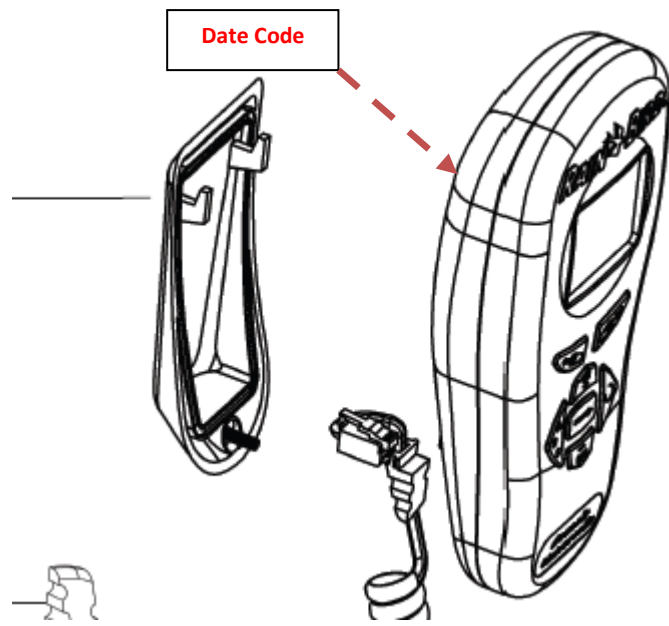
TBOS CONTROL MODULE



TBOS RADIO MODULE



TBOS FIELD TRANSMITTER IR & UNIVERSAL



WP 2/4/6/8 & WP1

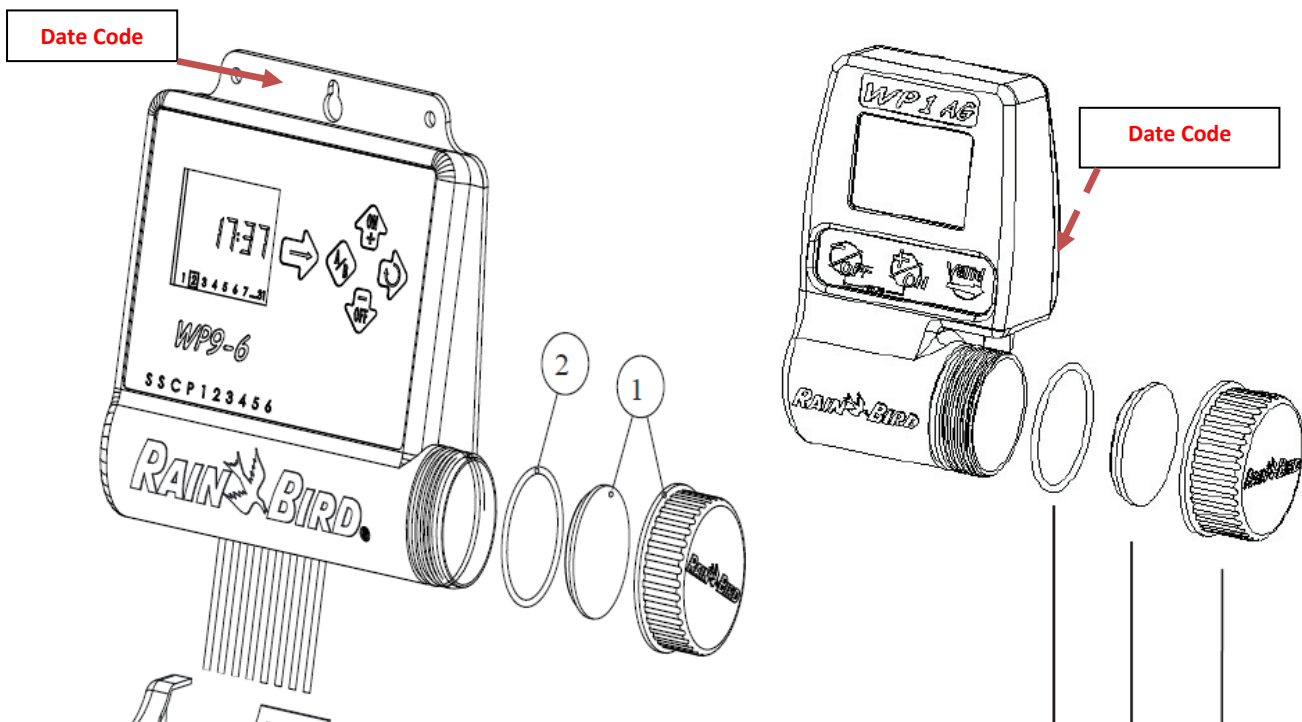
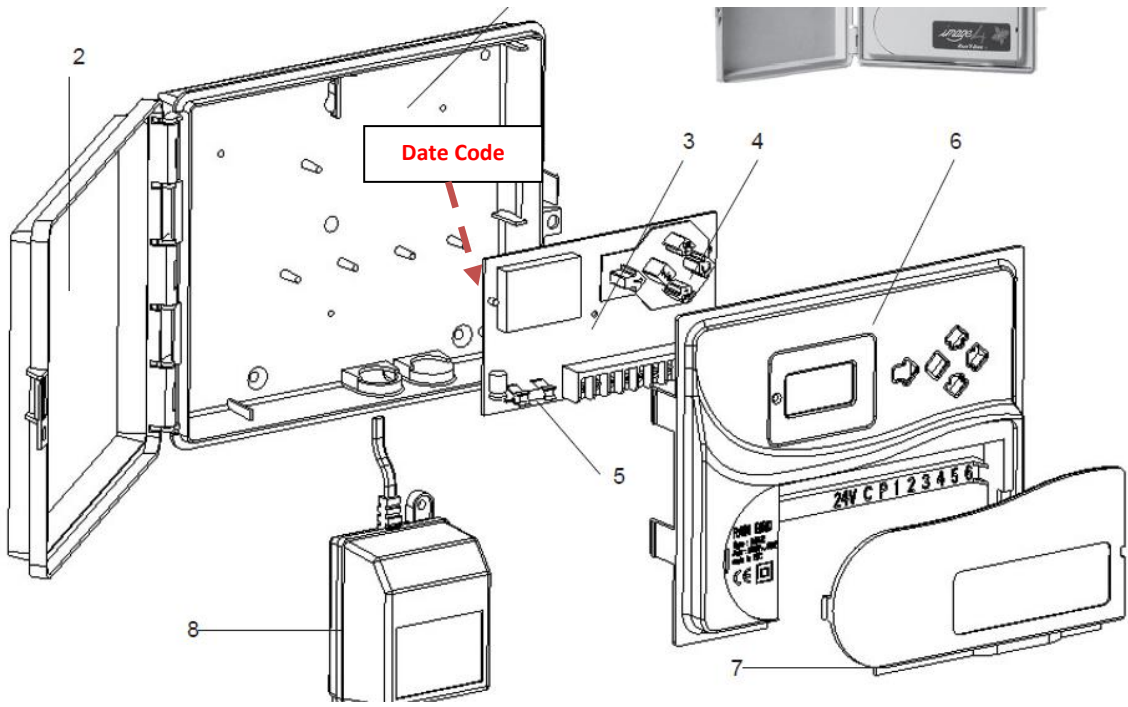
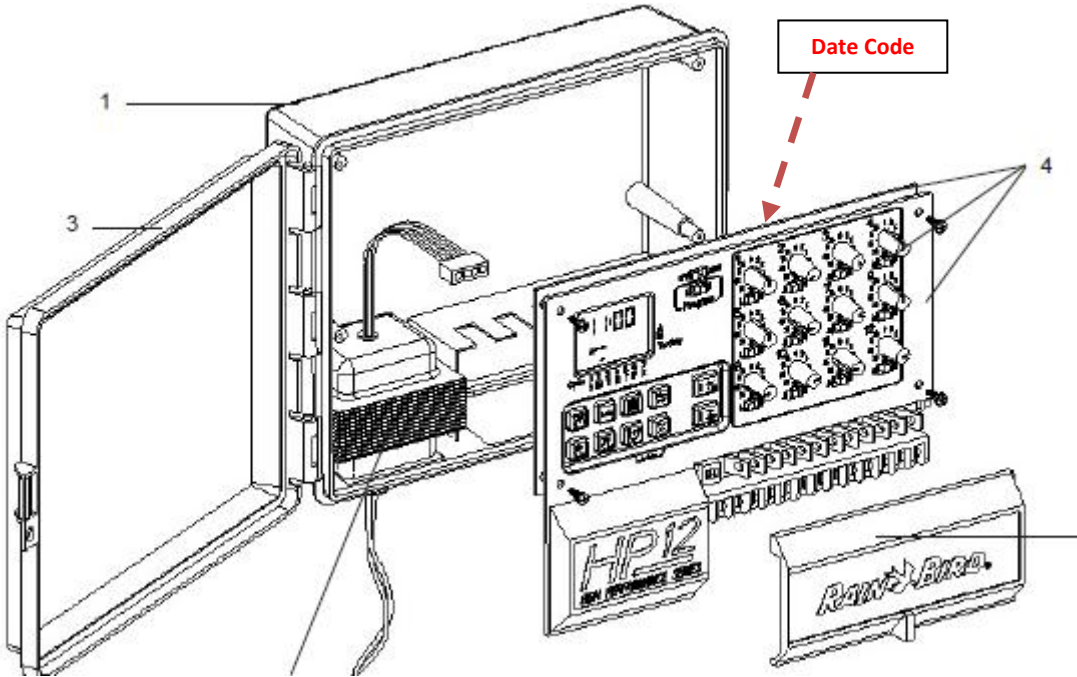


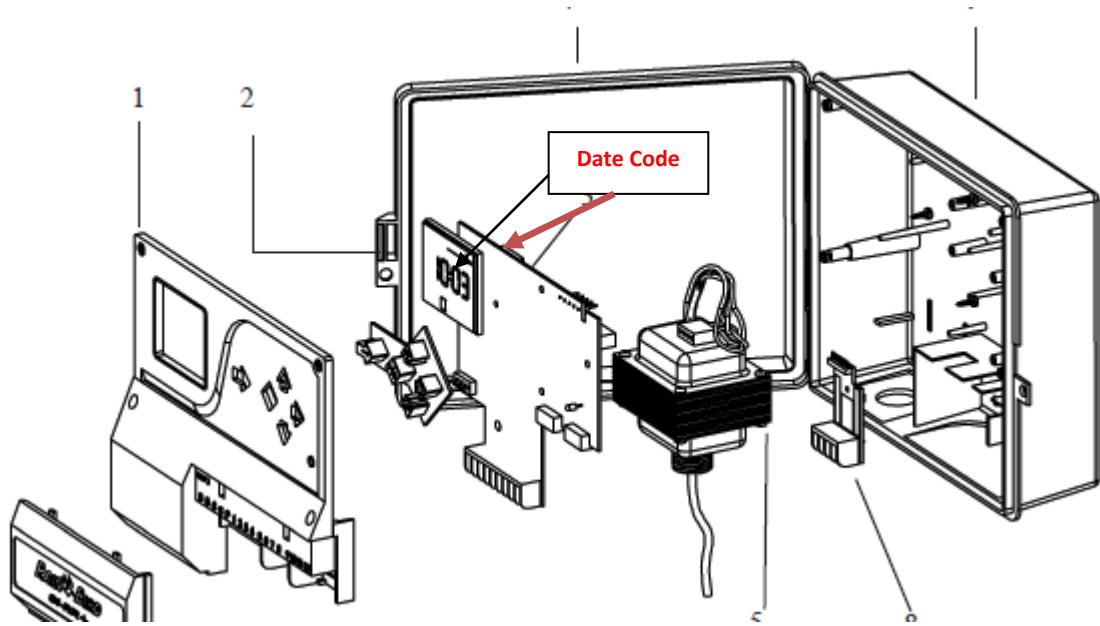
IMAGE CONTROLLER



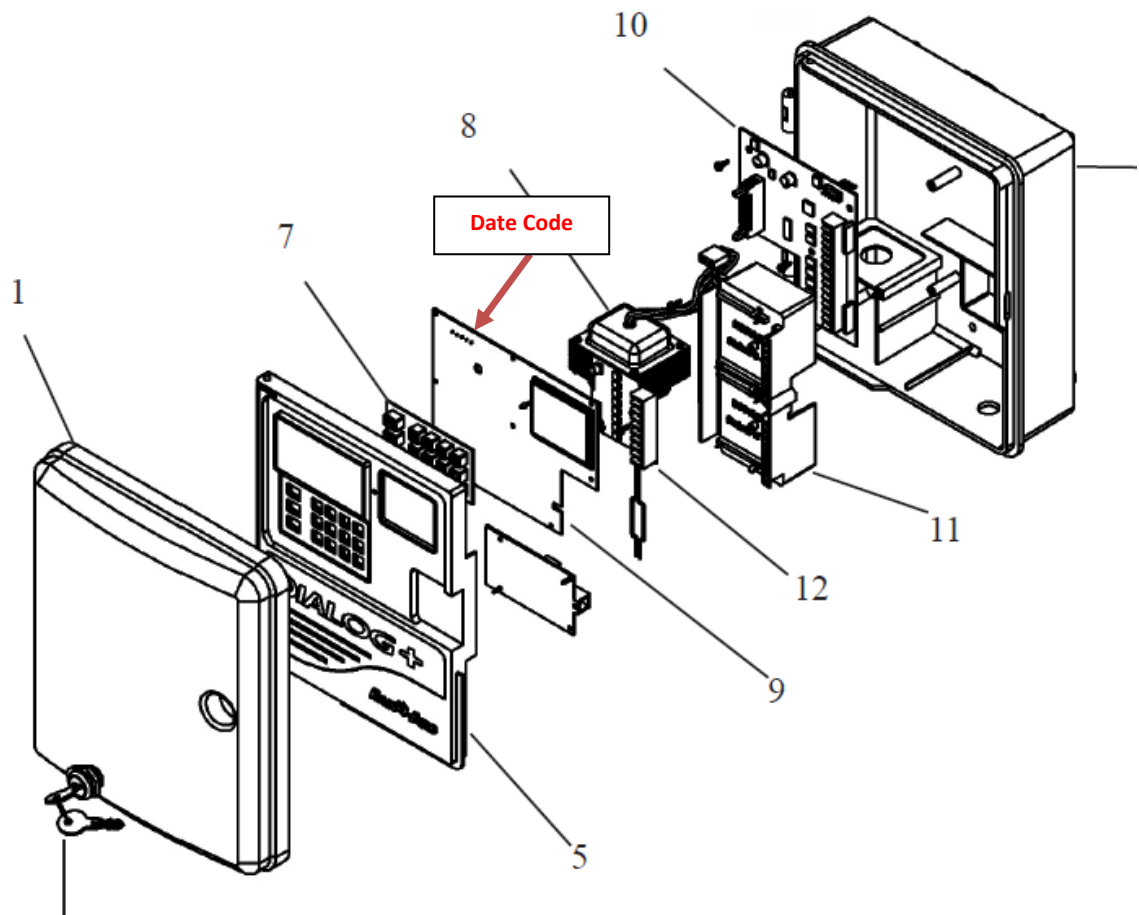
HP CONTROLLER



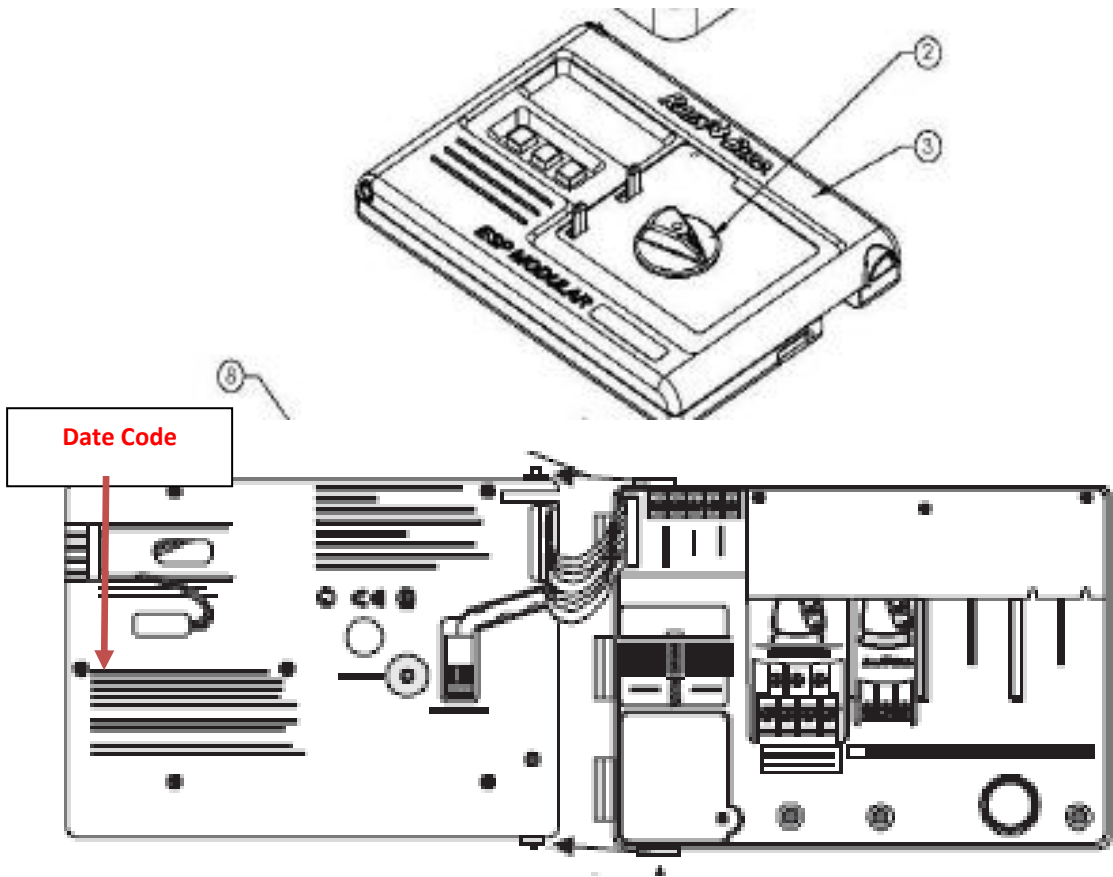
SI RR PLUS CONTROLLER



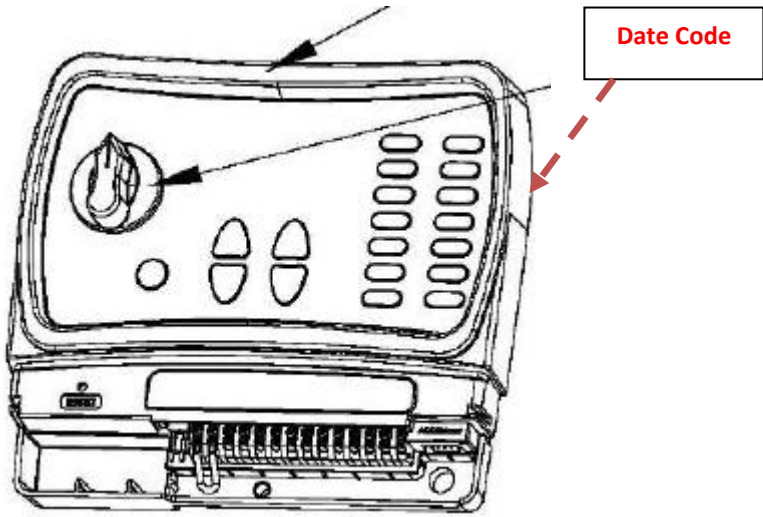
DIALOG PLUS CONTROLLER



ESP MODULAR CONTROLLER

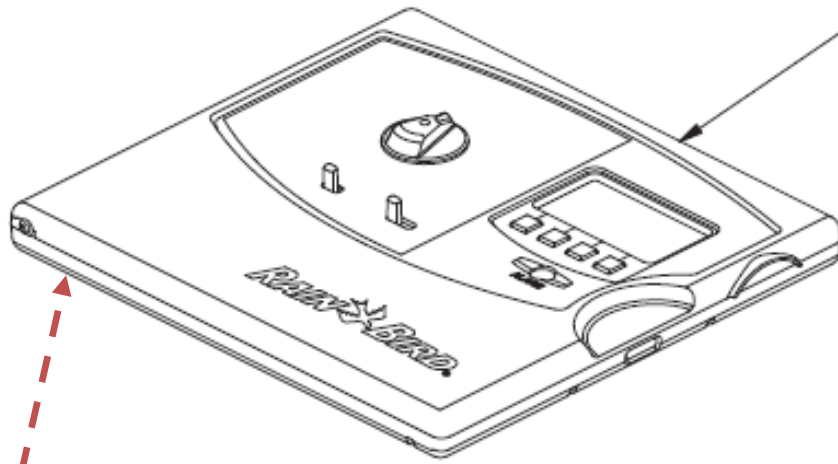


STPI CONTROLLER

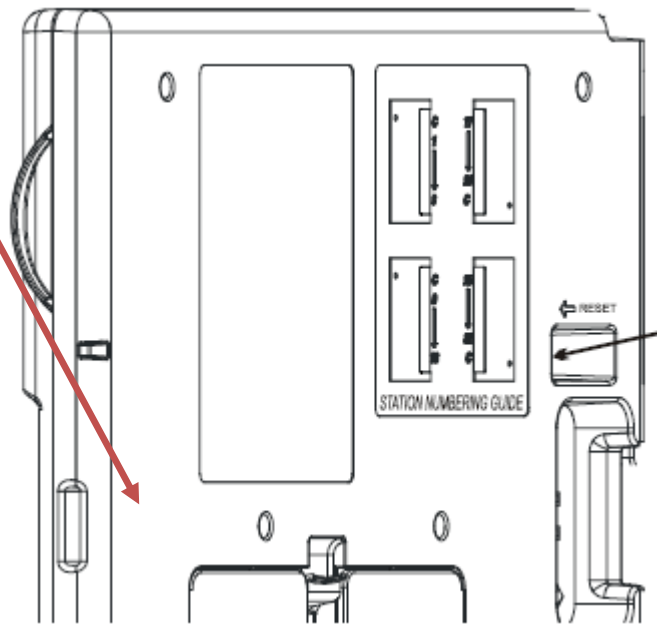


ESP LX CONTROLLER

2



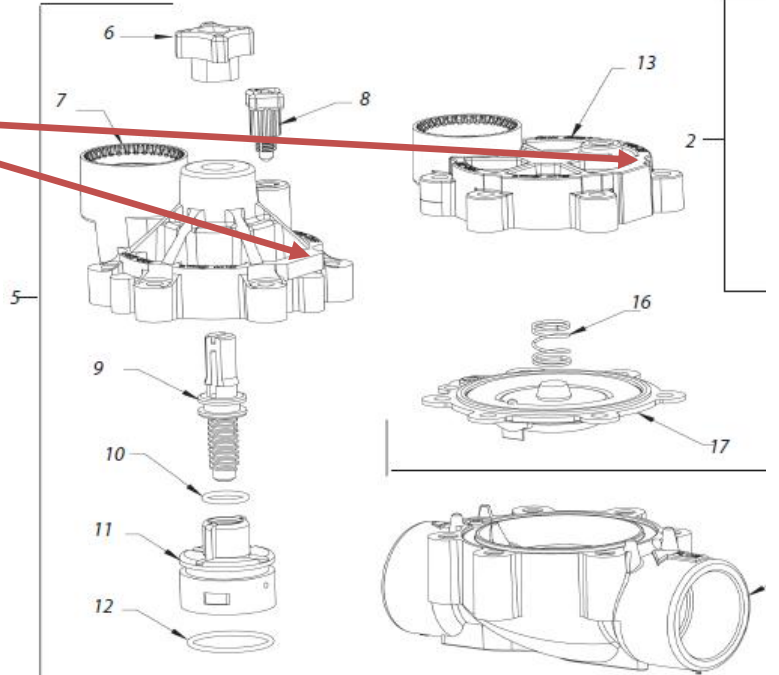
Date Code located at the rear of the electronic board



075 DV / 100 DV / 100 DV-F



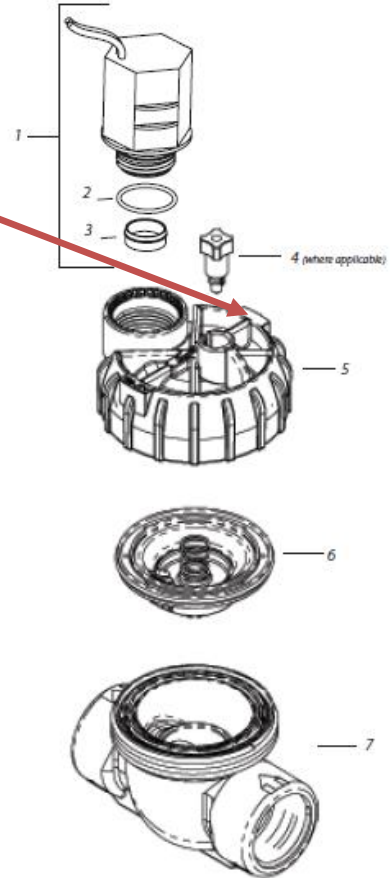
Date Code



100 JTV / 100 JTV-F



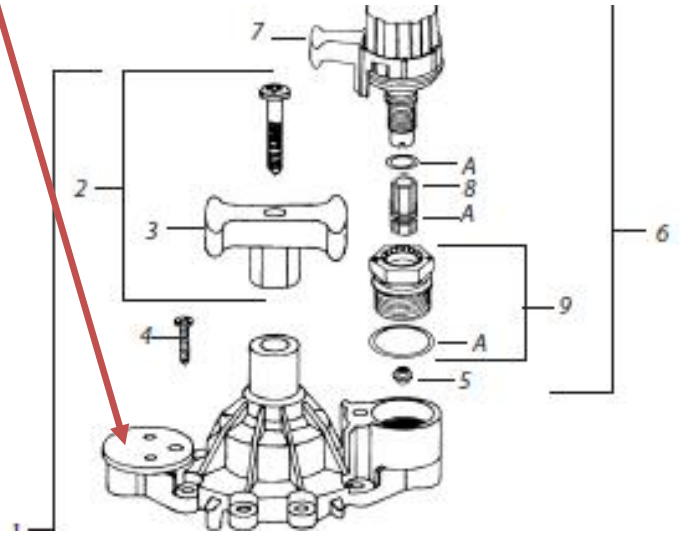
Date Code



PGA VALVES

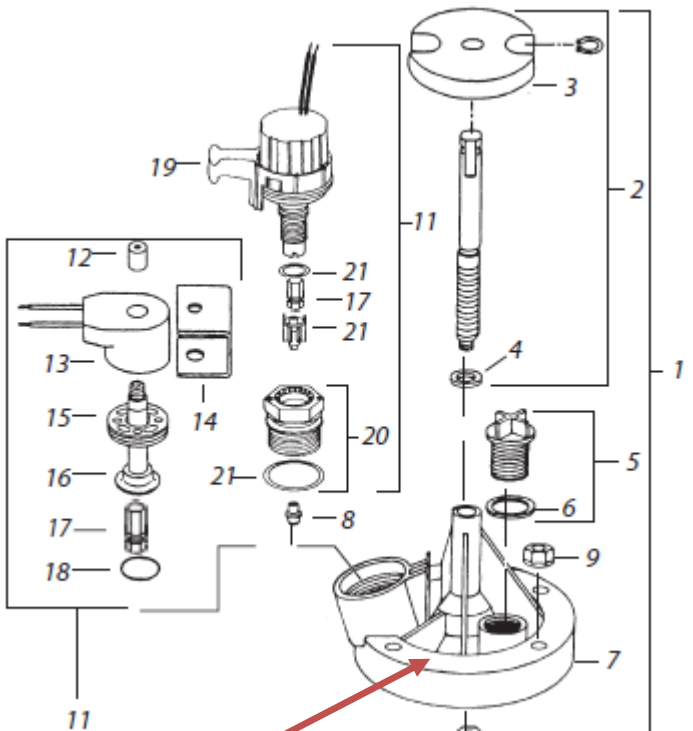
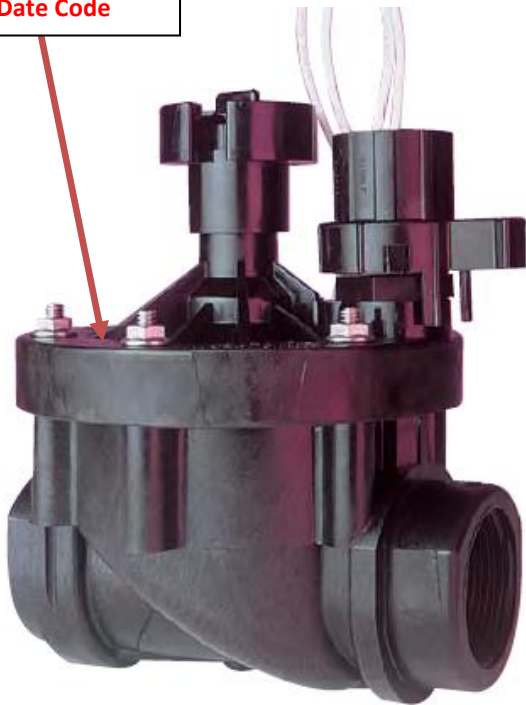


Date Code



PEB VALVES

Date Code



Date Code